

revision	0
page	: 02
voir	: 10

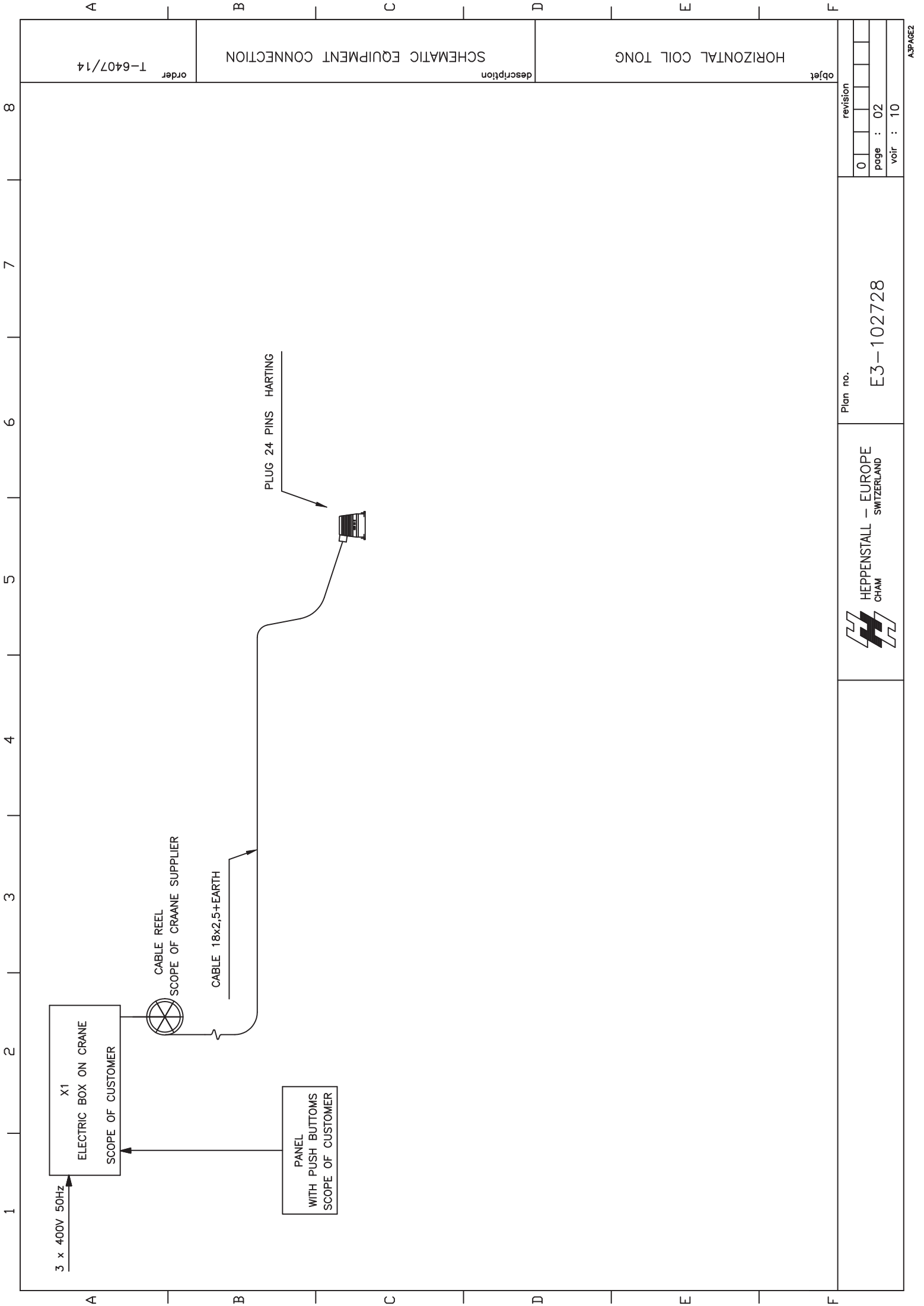
Plan no.
E3-102728



HORIZONTAL COIL TONG

SCHMATIC EQUIPMENT CONNECTION

order T-6407/14



A

B

C

D

E

F

8

7

6

5

4

3

2

1

A

B

C

D

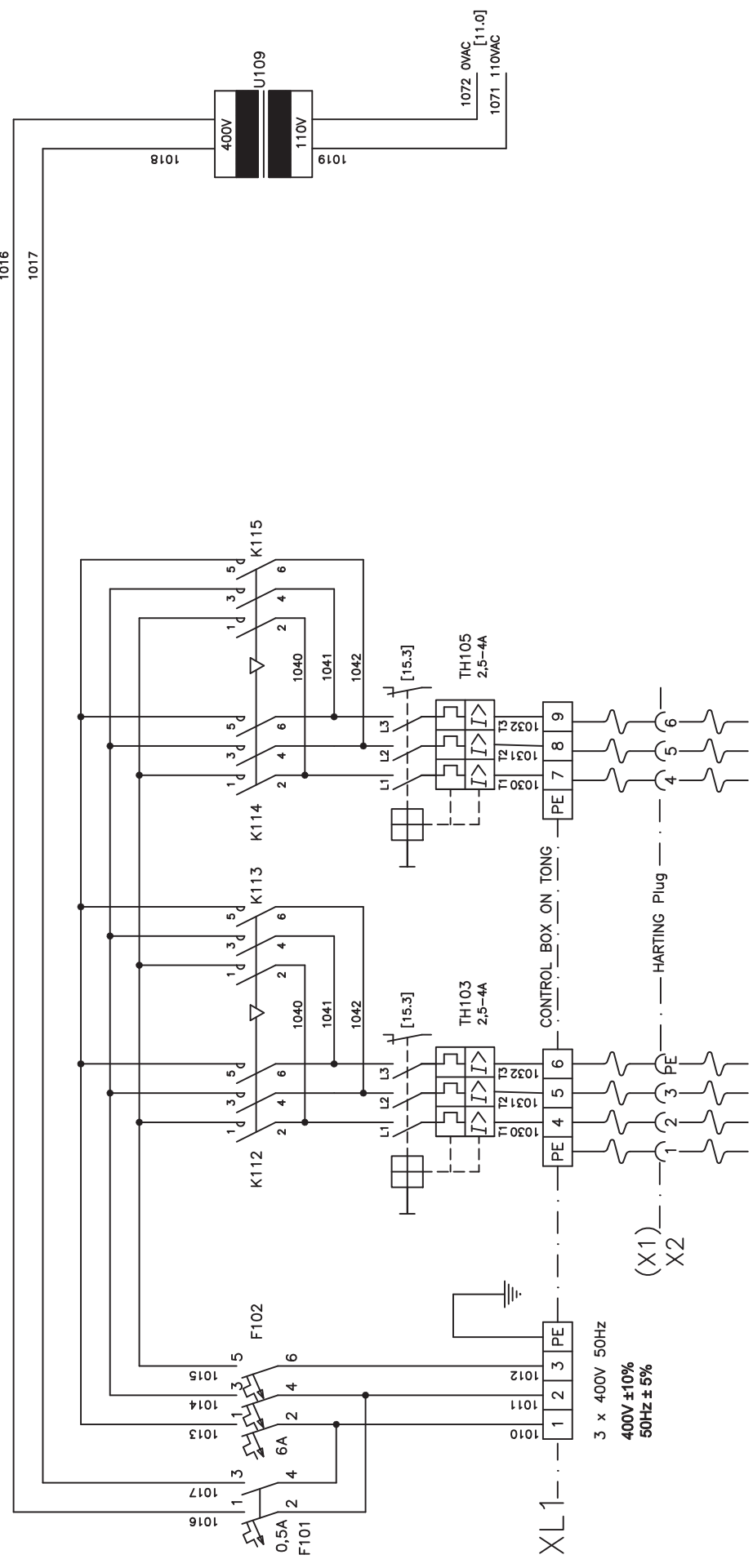
E

F

HORIZONTAL COIL TONG

POWER DIAGRAM

order T-6407/14



MOTOR ROTATING UNIT

MOTOR OPEN CLOSE

1 2 3 4 5 6 7 8

A B C D E F

revision	0								
page	: 11								
voir	: 30								

Plan no.
E3-102728

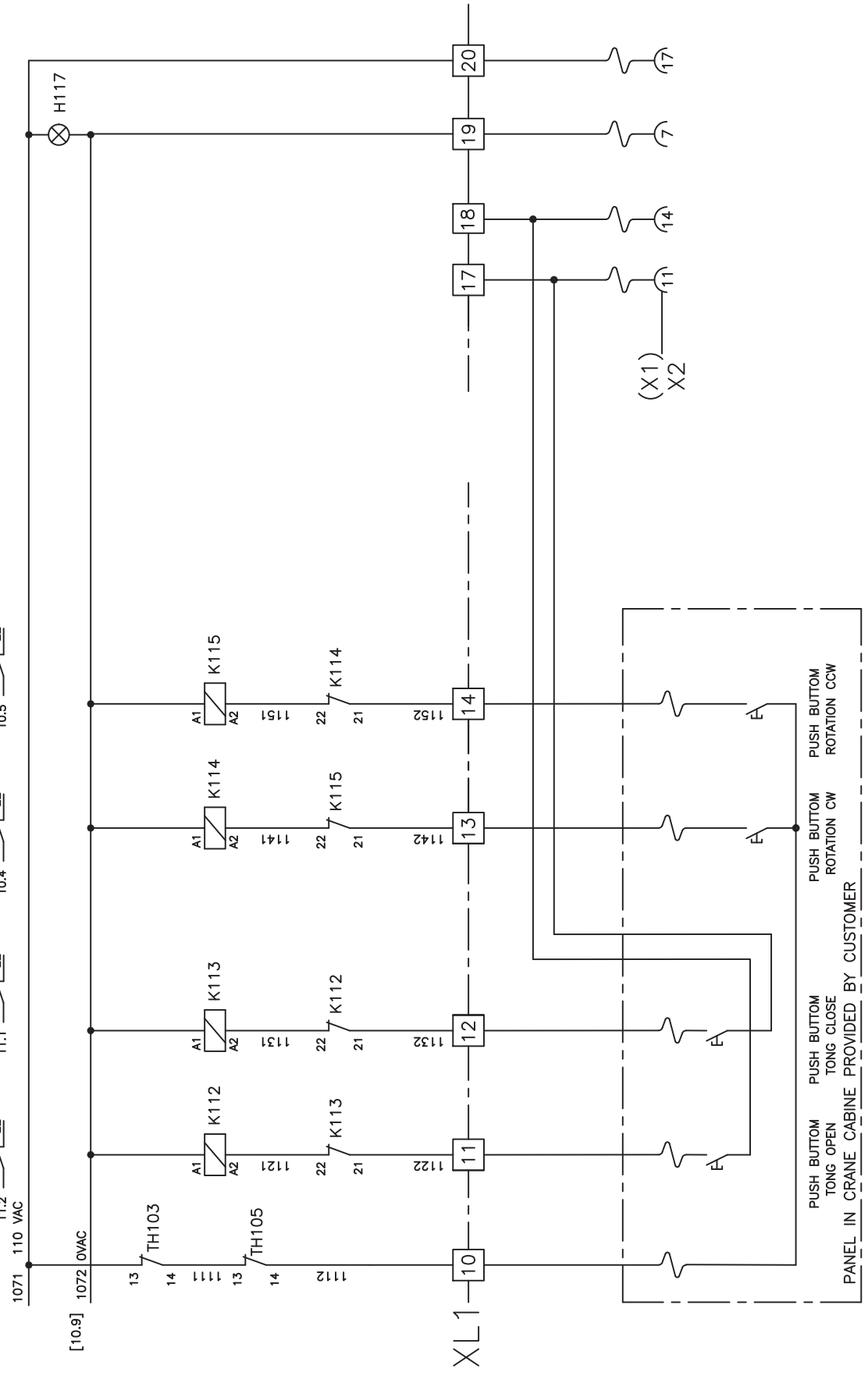


HORIZONTAL COIL TONG

MOTOR PILOT DIAGRAM

order T-6407/14

1 2 3 4 5 6 7 8



PANEL IN CRANE CABINE PROVIDED BY CUSTOMER

PUSH BUTTON TONG OPEN
PUSH BUTTON TONG CLOSE
PUSH BUTTON ROTATION CW
PUSH BUTTON ROTATION CCW

(X1)
X2

[10.9] 1072 0VAC

1071 110 VAC

11.1 21 22

10.2 1 2
10.2 3 4
10.2 5 6

10.3 1 2
10.3 3 4
10.3 5 6

10.4 1 2
10.4 3 4
10.4 5 6

10.5 1 2
10.5 3 4
10.5 5 6

10.5 21 22

H117

XL1

A B C D E F

order T-6407/14